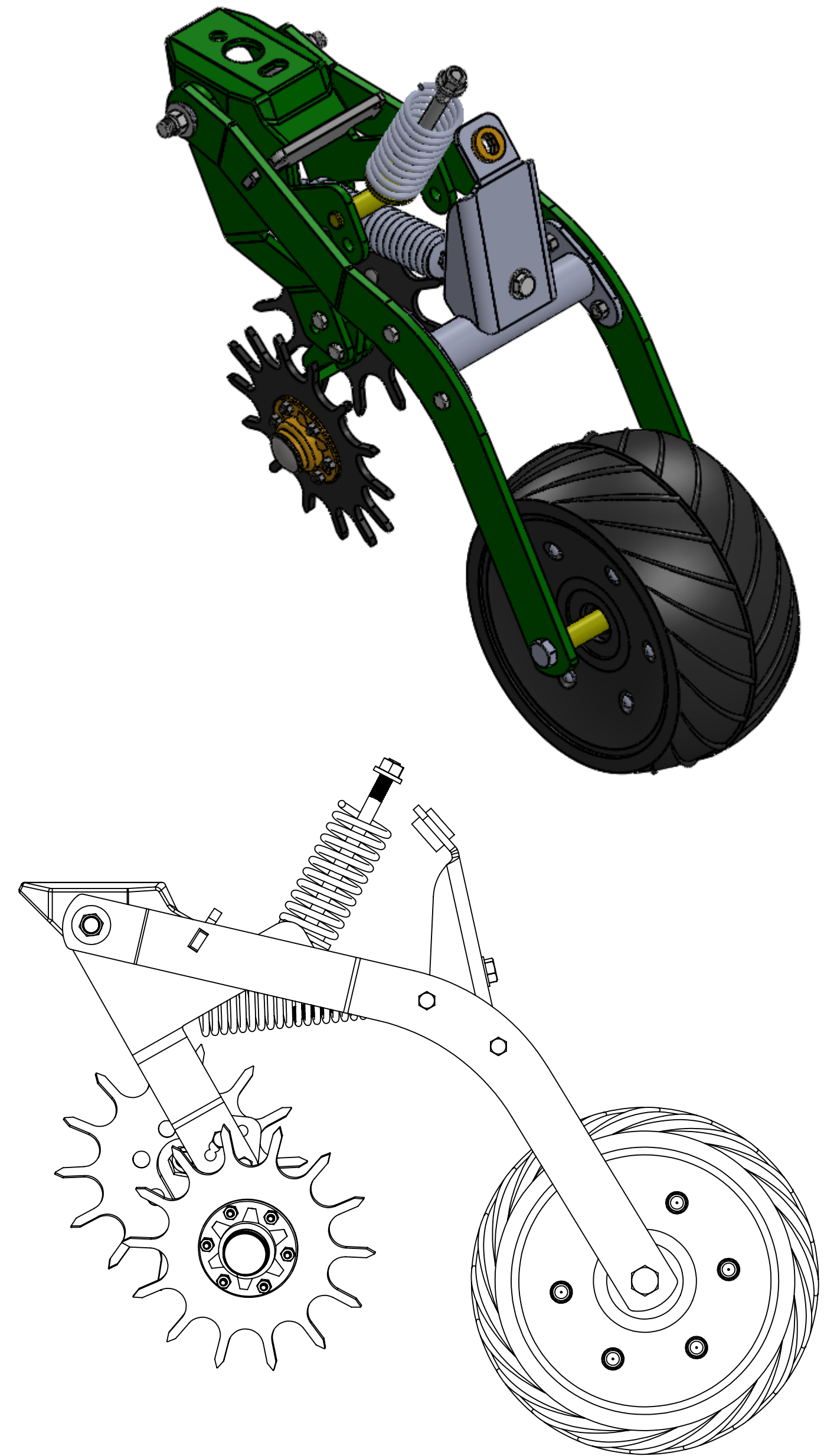
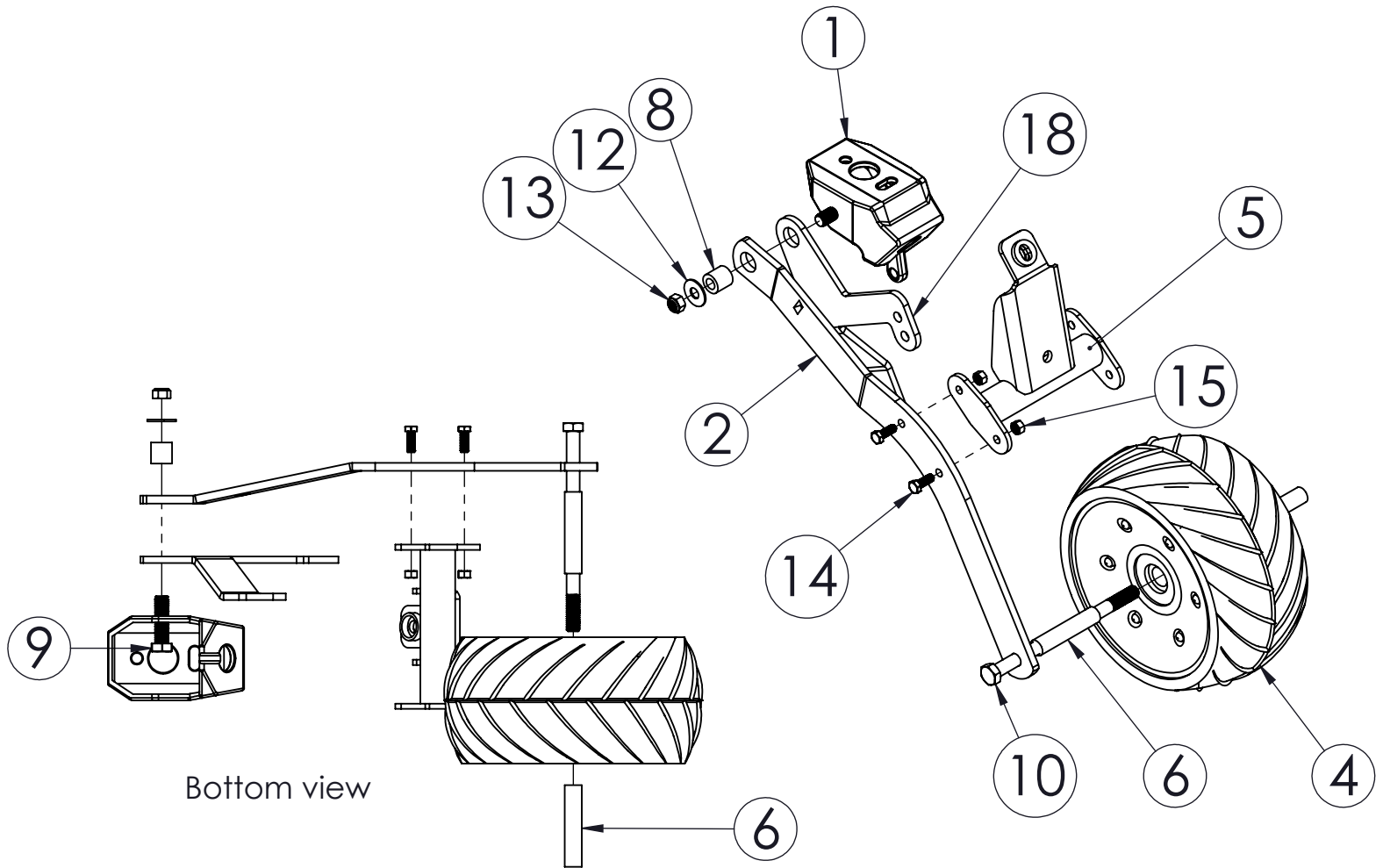


ITEM NO.	QTY	PART NAME	DESCRIPTION	material	Grade	Finish	Length	Vendor
1	1	johndeereplantermount						
2	1	555-68	Left Wheel Arm	mild steel				
3	1	555-69	Right Wheel Arm	mild steel				
4	1	555-wheel	Closing Wheel	for reference only				
5	1	555-01	Spring Mount Bracket					
6	2	555-26	Wheel Spacer	A572 steel	Grade 50	Zinc Plated		
7	1	555-30B	1/2" Clevis Pin	Grade 5 yellow zinc plated steel		Zinc Plated	5.125"	
8	2	555-20	Shoulder Bushing	A572 Steel rod	Grade 50			
9	2	92865A803	5/8"-11 Full Thread Hex Bolt	steel	Grade 5	Zinc Platted	2.25"	
10	1	91257A825	5/8"-11 Hex Bolt	Steel	Grade 8		9.5"	
11	1	97135A270	5/8"-11 Nylock Nut	steel	Grade 8	Yellow Zinc Plated		
12	2	90108A033	1/2" Flat Washer	steel	Type A USS	Zinc Plated		
13	2	90576A119	M12 x 1.75 Nylock Nut	steel	Grade 8	Zinc Plated		
14	4	92865A624	3/8"-16 Full Threaded Hex Bolt	steel	Grade 5	Zinc Plated	1"	
15	6	90636A049	3/8"-16 Center Lock Nut	Steel	Grade 8	Yellow Zinc Plated		
16	2	92865A628	3/8"-16 Full Threaded Hex Bolt	Steel	Grade 5	Zinc plated	1.5"	
17	1	555-72	Right Disc Arm	mild steel				
18	1	555-71	Left Disc Arm	mild steel				
19	1	555-1	Plate Stop					
20	1	555-06	Disc Mount Bracket					
21	2	555-07	Spike Wheel Assembly					
22	2	555-16	Dust Cap				N/A	Shoup
23	1	555-08	"T" Bolt Assembly					
24	1	555-29	Spring Centering Washer	A572 steel rod	Grade 50			
25	1	Compression Spring	Compression Spring	spring steel				
26	1	555-23	Extension Spring	Spring steel				John Deere
27	1	92865A738	1/2"-13 full Threaded Hex Bolt	steel	Grade 5	Zinc Plated	7"	
28	1	94895A823	1/2"- 13 Hex Nut	steel	Grade 8	Zinc Plated		
29	1	90126A033	1/2" Flat Washer	Steel	Type A SAE	Zinc Plated		
30	1	90949A033	1/2"-13 Flange Lock Nut	Steel	Grade G	Black Phosphate		



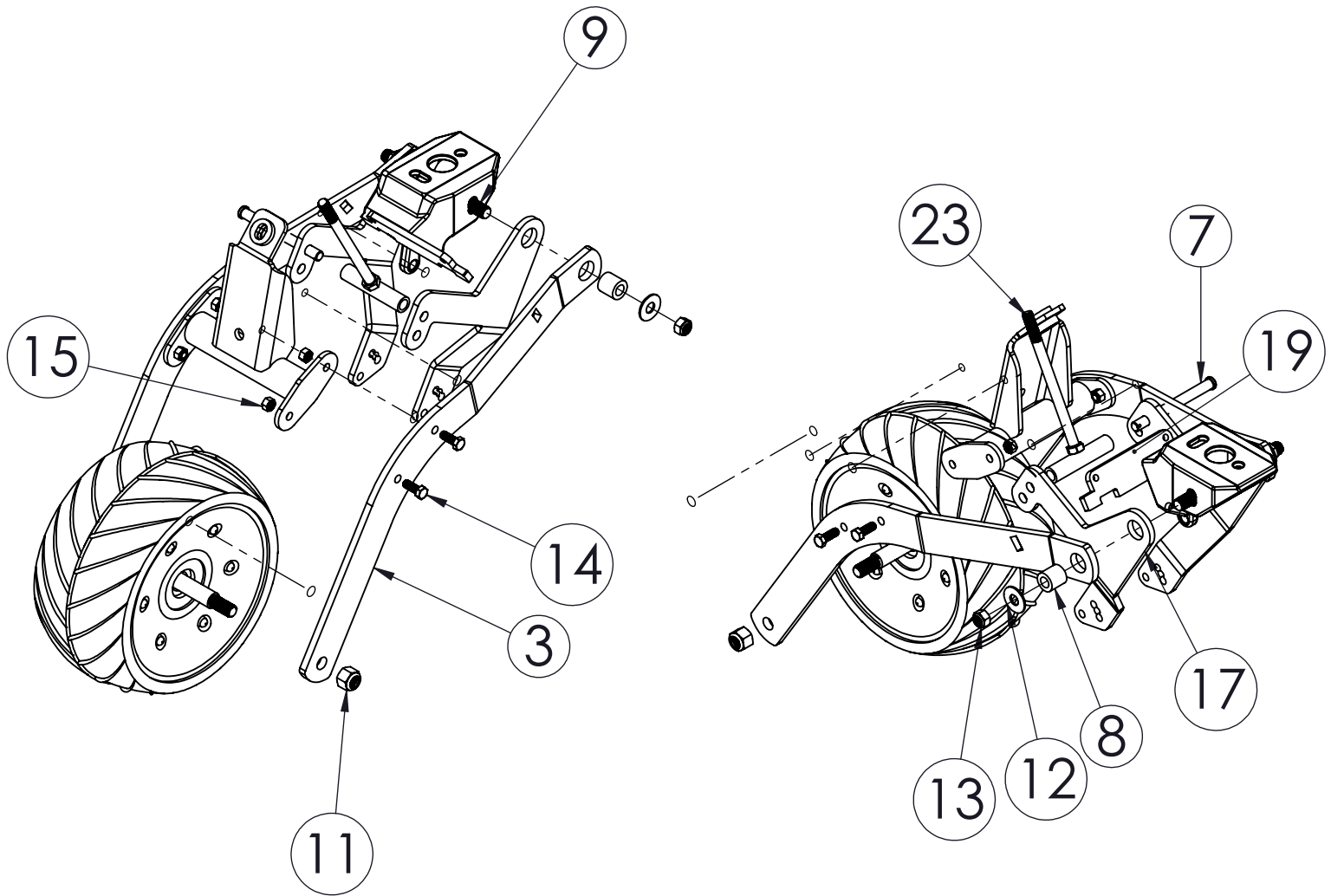
1	REVISION RN_NO	UNLESS OTHERWISE SPECIFIED DIMENSIONS IN INCHES TWO PL. DEC. ±0.02 THREE PL. DEC. ±0.005 ANGLES ±.5° ONE PL. MM. ±0.5 TWO PL. MM. ±0.13 TORQUE ±10%	DFTR.	DATE	RAW MATERIAL DESCRIPTION RAW_MATL_DESCR	RAW MATERIAL PART NO. RAW_MATL_PT_NO
			DES ENGR	DATE		
IT.	VI	(ST) STATISTICALLY SAMPLED DIMENSION * REQUIRED INSPECTION DIMENSION	APPD.	DATE	THE INFORMATION ON THIS DRAWING IS THE PROPERTY OF AG FOCUS. IT IS DISCLOSED IN CONFIDENCE AND IS NOT TO BE REPRODUCED, USED OR DISCLOSED EXCEPT FOR THE PURPOSE FOR WHICH FURNISHED.	
			MFG_ENGR	MFG_DATE	Ag Focus SM Planter Pro [®]	
			ENGR REF			
			TOOL REF		TITLE	
			DSPEC (PROJECT NO.) D_SPEC		SIZE C	FILENAME DWG_NUMBER
					DWG. NO. DWG_NUMBER2	
					SCALE	PARTS LIST PARTS_LIST
					PRODUCT CODE PRODUCT	SHEET NO. SH

Left Frame Assembly



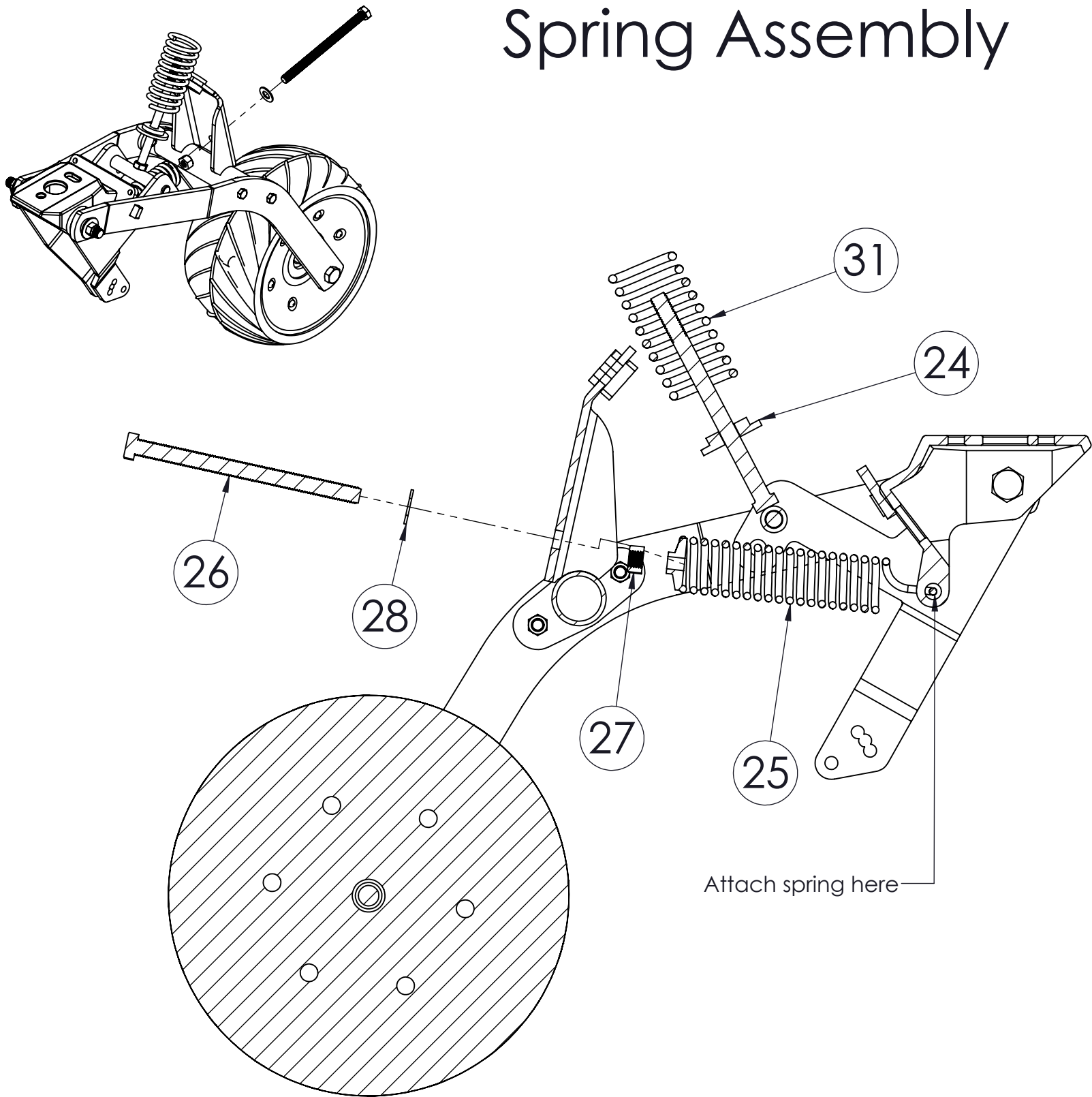
ITEM NO.	QTY	PART NAME	DESCRIPTION
1	1	johndeereplantermount	
2	1	555-68	Left Wheel Arm
4	1	555-wheel	Closing Wheel
5	1	555-01	Spring Mount Bracket
6	2	555-26	Wheel Spacer
8	2	555-20	Shoulder Bushing
9	2	92865A803	5/8"-11 Full Thread Hex Bolt
10	1	91257A825	5/8"-11 Hex Bolt
12	2	90108A033	1/2" Flat Washer
13	2	90576A119	M12 x 1.75 Nylock Nut
14	4	92865A624	3/8"-16 Full Threaded Hex Bolt
15	6	90636A049	3/8"-16 Center Lock Nut
18	1	555-71	Left Disc Arm

Right Frame Assembly



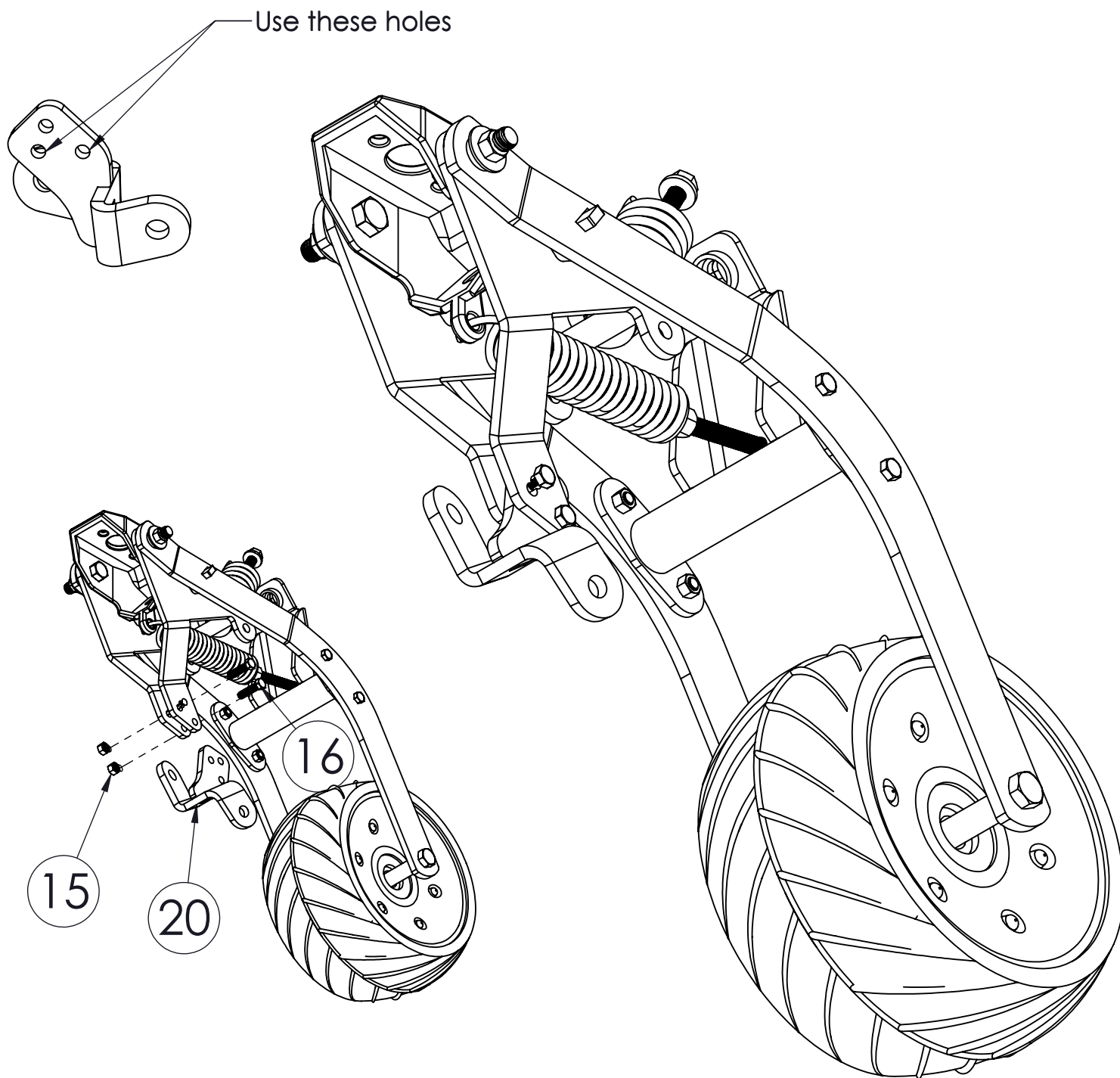
ITEM NO.	QTY	PART NAME	DESCRIPTION
3	1	555-69	Right Wheel Arm
7	1	555-30B	1/2" Clevis Pin
8	2	555-20	Shoulder Bushing
9	2	92865A803	5/8"-11 Full Thread Hex Bolt
11	1	97135A270	5/8"-11 Nylock Nut
12	2	90108A033	1/2" Flat Washer
13	2	90576A119	M12 x 1.75 Nylock Nut
14	4	92865A624	3/8"-16 Full Threaded Hex Bolt
15	6	90636A049	3/8"-16 Center Lock Nut
17	1	555-72	Right Disc Arm
19	1	555-1	Plate Stop
23	1	555-08	"T" Bolt Assembly

Spring Assembly



ITEM NO.	QTY	PART NAME	DESCRIPTION
24	1	555-29	Spring Centering Washer
25	1	555-23	Extension Spring
26	1	92865A738	1/2"-13 full Threaded Hex Bolt
27	1	94895A823	1/2"- 13 Hex Nut
28	1	90126A033	1/2" Flat Washer
31	1	Compression Spring	Compression Spring

Wheel Bracket Assembly



ITEM NO.	QTY	PART NAME	DESCRIPTION
15	6	90636A049	3/8"-16 Center Lock Nut
16	2	92865A628	3/8"-16 Full Threaded Hex Bolt
20	1	555-06	Disc Mount Bracket

ITEM NO.	QTY	PART NAME	DESCRIPTION	Length
1	1	johndeereplantermount		
2	1	555-68	Left Wheel Arm	
3	1	555-69	Right Wheel Arm	
4	1	555-wheel	Closing Wheel	
5	1	555-01	Spring Mount Bracket	
6	2	555-26	Wheel Spacer	
7	1	555-30B	1/2" Clevis Pin	5.125"
8	2	555-20	Shoulder Bushing	
9	2	92865A803	5/8"-11 Full Thread Hex Bolt	2.25"
10	1	91257A825	5/8"-11 Hex Bolt	9.5"
11	1	97135A270	5/8"-11 Nylock Nut	
12	2	90108A033	1/2" Flat Washer	
13	2	90576A119	M12 x 1.75 Nylock Nut	
14	4	92865A624	3/8"-16 Full Threaded Hex Bolt	1"
15	6	90636A049	3/8"-16 Center Lock Nut	
16	2	92865A628	3/8"-16 Full Threaded Hex Bolt	1.5"
17	1	555-72	Right Disc Arm	
18	1	555-71	Left Disc Arm	
19	1	555-1	Plate Stop	
20	1	555-06	Disc Mount Bracket	
21	2	555-07	Spike Wheel Assembly	
22	2	555-16	Dust Cap	N/A
23	1	555-08	"T" Bolt Assembly	
24	1	555-29	Spring Centering Washer	
25	1	Compression Spring	Compression Spring	
26	1	555-23	Extension Spring	
27	1	92865A738	1/2"-13 full Threaded Hex Bolt	7"
28	1	94895A823	1/2"- 13 Hex Nut	
29	1	90126A033	1/2" Flat Washer	
30	1	90949A033	1/2"-13 Flange Lock Nut	
31	1	Part1^555-0		